

ADVANCED
SOLUTIONS for
**SOLAR
ENERGY**



KRAFFT, S.L.U.
Ctra de Urnieta s/n
20140 Andoain - SPAIN
Phone: +34 943 410 460
Fax: +34 943 410 430
E-mail: export@krafft.es
An Illinois Tool Works Company





ADVANCED SOLUTIONS for
SOLAR ENERGY



Adhesives:
Mirror-Support
Panel-Support
ADHESIVES, SILICONES
AND HYBRID SEALANTS



SOLAR TRACKERS

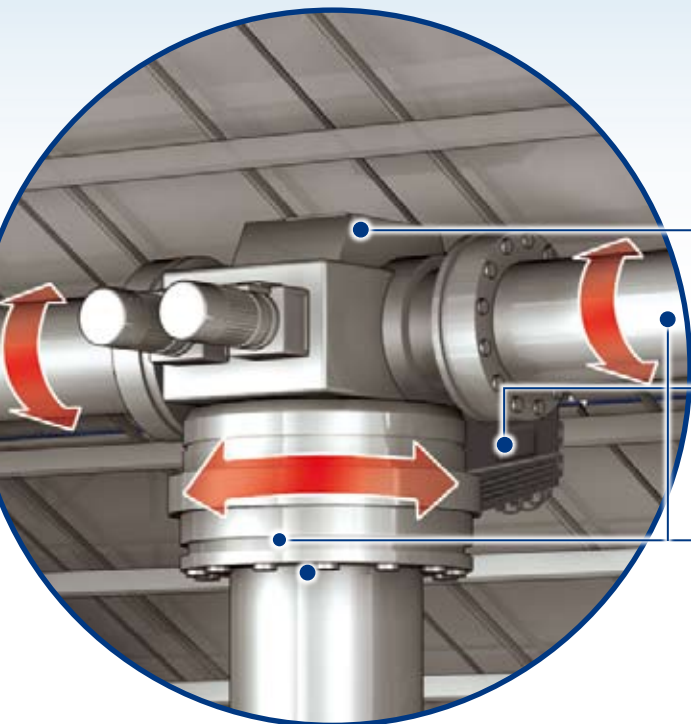
**Photovoltaic and
Heliostats**



**Galvanized, Zinc
Coating Protection**
INDUSTRIAL
MAINTENANCE



Antiseize
INDUSTRIAL
LUBRICANTS



Oils for Gearboxes
INDUSTRIAL LUBRICANTS



**Protection for Electric
Contacts and Circuits**
INDUSTRIAL MAINTENANCE



Girth Gear and Worm Gear Lubrication
INDUSTRIAL LUBRICANTS





Thermal fluids
HEAT EXCHANGERS

Krafft

anclapak
Structural
Anchoring
ANCHORING RESINS

Krafft

SILKRAF
SILKRON
Panels Sealing-
Bonding
SEALANTS AND
ADHESIVES

Krafft

FIXED SOLAR PANELS
Thermal and
Photovoltaic

KRAFFT offers solutions with high technical value for different parts of the system.

Reliable and tested products, based on experience and the most advanced technology. They allow optimizing the solar energy installations

Large and complete ranges which meet specific needs of each case, providing concrete solutions to the requirements of any customer.

In **KRAFFT**, we are committed to improve the efficiency of the solar energy installations.

We provide the solutions which will be the appropriate ones for any requirement and also products and services widely available.

TRACKERS PANELS
**Solar Thermal
Collectors with
Cylindrical
Concentration**

**Panels
Cleaning**

KRAFFT
CLEANING
PRODUCTS



**Mirror-Support
Adhesives**

ADHESIVES, SILICONES AND
HYBRID SEALANTS

